



GENERAL KNOWLEDGE

General Instruction for Solenoid

For your own safety, please read the instruction below before you inquiring / using our products.

Application

- Fluid in the pipeline MUST BE same as instruction shows on a solenoid.
- The fluid's temperature needs to be lower than valve's standard temperature.
- Our products normally allowed fluid's viscosity under 20 CST.
- If the highest working pressure difference lower than 0.05 MPa, please select Direct-Acting type. If the difference higher than 0.05 Mpa, please select Pilot-Operated type (Diaphragm type).
- Originally our products are working ONE DIRECTION, please install by fluid flow direction to avoid the reverse pressure. Could install stop-check valve if the counter current shows.
- Please install filter before installing Solenoid valve if the fluid isn't clean, to reduce any wastes and impurities from the pipeline.
- Please check your available flow aperture and nozzle diameter.
- Normally our products only have ON / OFF two switches, if its available, please install side-manual switch for your maintenance convenience.
- When there's water hammer phenomenon, please aware of valve switching time adjustment and choose the suitable product.
- Be aware of the effect caused by environmental temperature.

- Power voltage can allowed about $\pm 10\%$ fluctuation, volt-ampere is higher while using AC starts.
- The solenoid valve can be divided into two types. N.C. (Normal Closed) and N.O. (Normal Open), please select your suitable type.

Security

- Solenoids are not suitable for power on for a long time because of its design principles. If it powered on too long, metal coil will overheat cause shortened life and malfunction.
- Regular-type solenoid is not waterproof, please select waterproof type if the environment not allowed.
- Solenoid's highest standard pressure must exceed the highest pressure in the pipeline or it will cause shortened life and other malfunction.
- Please select full-stainless steel type if its corrosive fluid. High acid and alkaline fluids are suitable for PTFE valve body style.
- Dangerous environment that may cause explosion needs to select corresponding explosion-proof products.

Install Caution

- Clean the pipeline with fluids, make sure it already removed any dusts, impurities, rust and stop tapes.
- Please keep 1.5~2 turns screw thread while wrapping stop tapes.
- Sealant might be easily flow into the product, and may cause malfunction if using too much sealant while installing.

- It's better install with horizontal direction and coil face up.
- Make sure you have enough space for maintenance.
- Do not press coil parts while installing.
- Check the pipeline direction, leak or not, wire connection after the installment.

(Aluminum alloy)

Caliber	Tightening torque suggest
Rc 1/8	7~9 N•m
Rc 1/4	12~14 N•m
Rc 3/8	22~24 N•m
Rc 1/2	28~30 N•m
Rc 3/4	31~33 N•m
Rc 1	36~38 N•m
Rc 1-1/4	40~42 N•m
Rc 1-1/2	48~50 N•m
Rc 2	57~56 N•m

(Brass, Stainless steel)

Caliber	Tightening torque suggest
Rc 1/8	18~20 N•m
Rc 1/4	23~25 N•m
Rc 3/8	31~33 N•m
Rc 1/2	41~43 N•m
Rc 3/4	62~65 N•m
Rc 1	83~86 N•m
Rc 1-1/4	97~100 N•m
Rc 1-1/2	104~108 N•m
Rc 2	132~136 N•m

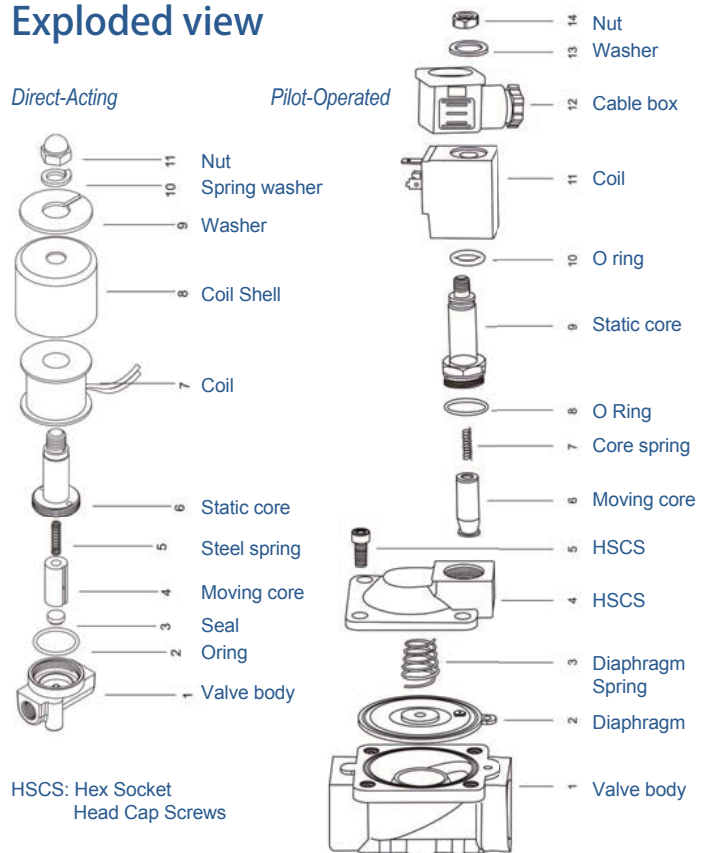


GENERAL KNOWLEDGE

Precautions in maintenance

- Solenoid coil and its drive element will heat after power on, please DO NOT touch or it will cause scald.
- If you need to decompose our product to inspect, please remove the power, and release the rest of the pressure in the pipeline. Make sure you are safe then continue the progress.
- To avoid rubber parts in the valve expansion or deformation, Please use neutral cleaner when you are cleaning the parts of valve.
- If you are not going to use our product of a long time after you used, please completely remove the rest of the fluid in the valve. If there's any fluid residue, it will get rusty in the next time you use and cause poor product performance.
- To keep its best situation, please arrange regular inspect and change parts by its usage frequency.

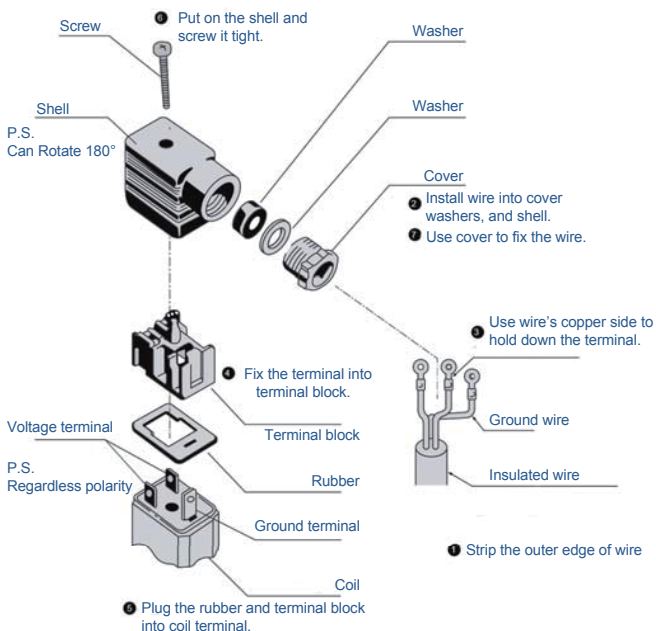
Exploded view



Cable box connection

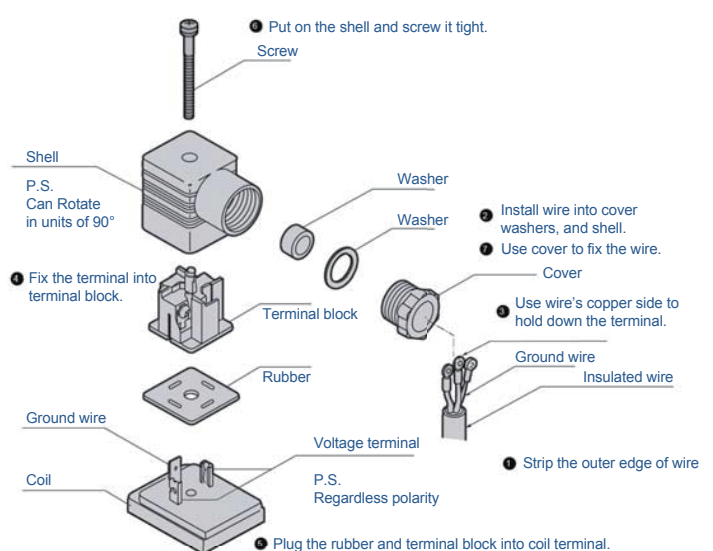
DIN Cable box (Pg9)

1. Please use insulated wire, Outer diameter $\varnothing 6 \sim \varnothing 10$ mm, section area $0.5 \sim 1.5 \text{ mm}^2$.
2. Tightening torque suggest $0.5 \text{ N} \cdot \text{m}$
3. If you need to change wire direction, take out cable box from shell, rotate 180 degrees then press into shell again.
4. Follow instruction from step 1 to step 7.



DIN Cable box (Pg11)

1. Please use insulated wire, Outer diameter $\varnothing 6 \sim \varnothing 10$ mm, section area $0.5 \sim 1.5 \text{ mm}^2$.
2. Tightening torque suggest $0.5 \text{ N} \cdot \text{m}$
3. If you need to change wire direction, take out cable box from shell, rotate 90 degrees then press into shell again.
4. Follow instruction from step 1 to step 7.





PRODUCT/ SOLENOID VALVE

TOG Series 2 Port Solenoid Valve

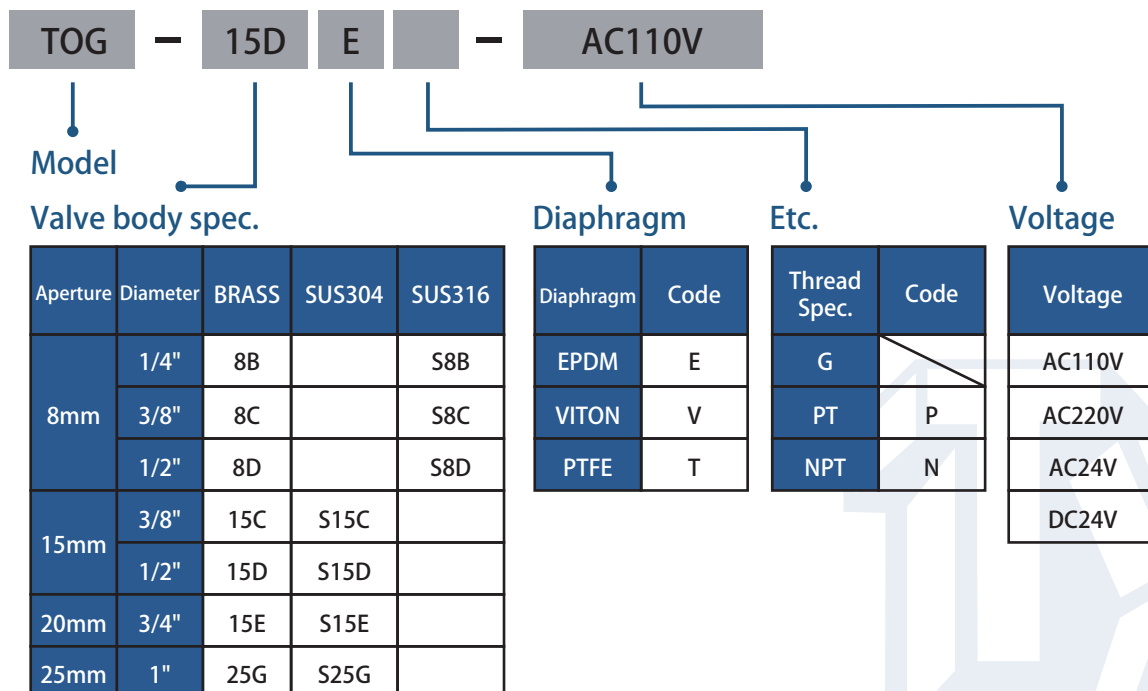


Specifications Characteristics

Model	TOG Series
Structure	Diaphragm, 2/2 way N. C. (Normal Close)
Fluid	Air, Inert gas, Water, Light oil
Temperature	-5°C - 110°C
Environment	Temp. -10 - 55°C ; Humidity. 10 - 90% RH
Caliber	Thread 1/4" - 1" G / PT / NPT
Pressure	1 - 100 kgf/cm ²
Valve Mat.	Forged copper / SUS304 / SUS316
Diaphragm	Pressure under 60 kgf/cm ² : EPDM / VITON Pressure over 60 kgf/cm ² : PTFE
Voltage	Reference below, Allowed voltage flow range ± 10%
Coil level	Power-Save DIN waterproof Coil (Protect level. IP65) (Saving Energy 70%, Less temp rise, Long life)
Installment	According to the fluid flow direction.

* PTFE Diaphragm might slight leakage because of different kinds of fluid or pressure. Please discuss with our sales representative if you have special request.

How to select model





PRODUCT/ SOLENOID VALVE

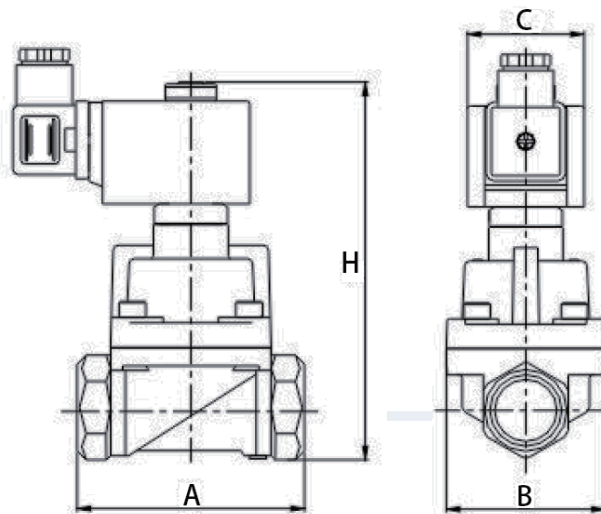
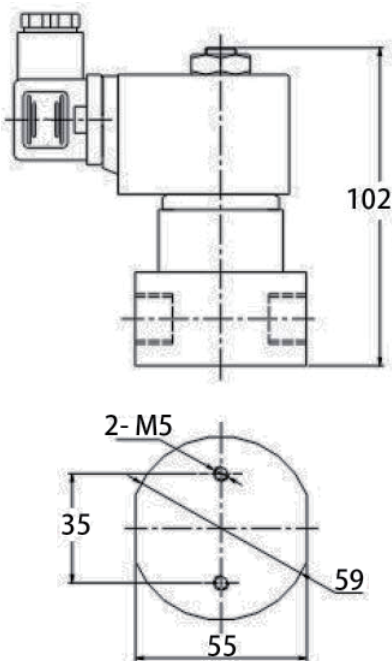
Specifications List

Flow Path mm	CV	Minimum Pressure	Pressure Range (kgf/ cm ²)						Maximum Temp. °C	Weight Kg
			Maximum Pressure							
			Air		Fluid		Light oil <20CST			
			AC	DC	AC	DC	AC	DC		
8	1.2	1	100	80	100	80	100	80	110	1.18
15	4.2	2	90	90	90	90	90	90	110	1.35
20	7	2	70	70	70	70	70	70	110	1.53
25	11	2	55	55	55	55	55	55	110	2.27

Power-Save coil parameters list

Coil Spec.	Voltage	Power		Electric	
		Activate	Hold	Activate	Hold
SM31	AC110V	78VA	4.5VA	350mA	20mA
SM32	AC220V	72VA	5.0VA	660mA	45mA
SM34	AC24V	19VA	6.5VA	940mA	310mA
SM36	DC24V	50W	7.2W	2185mA	350mA

Dimensions (mm)



Flow Path	A	B	C	H
15mm	75	52	39	132
20mm	85	60	39	142
25mm	100	72	39	154