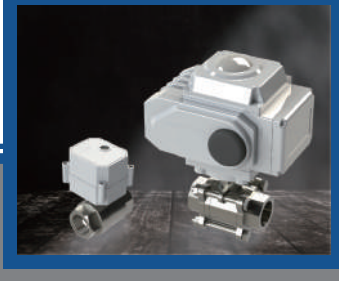




TXMC



GENERAL KNOWLEDGE

General Instruction for Electric actuator

For your own safety, please read the instruction below before you inquiring / using our products.

Wiring project

ST Series. When use DC24V power. No need to partition anode and cathode.

- Wiring project should carry on by the qualified electric engineer according to the electrical facility technique standard.
- It forbids to do wiring project in rainy day or in high humidity.
- Please confirm wiring connection drawing correct connection.
- This device have special cable, no need interior wiring.
- No-opening the top cover (already have cables).
- When electrifying, absolutely forbid to connect the opening and closing switch at the same time.
- When using line-pipe,operator should adopt waterproof measure.
- When there's water hammer phenomenon, please aware of valve switching time adjustment and choose the suitable product.
- Operator should make sure that the electric appliance of this valve is higher than line pipe, in order to prevent water from the inflowing electric appliance along line which leads to damaging of machine.

Operating

Manual operating

- Uninstall manual insert hole cover. Below having lever shaft hexangular hole (subtense 4mm).
- Insert socket head wrench to hexagon, "close" is clockwise, "open" is counter-clockwise.
- When electrifying,manual operation is forbidden. When manual operation,must confirm the display on opening meter. To avoid malfunction, when full open and full off, DO NOT use hexagon wrenches to turn forcefully.



Electromotion operation

- Before electromotion operation, please use the manual operation method, to confirm the opening meter and valve are in the same position, and make sure the wire connection is correct, then do the electro-motion operation.
- When full open, red LED is on, when full off,green LED is on.

Maintenance

- Because use of the molybdenum disulfide lithium-based grease so no need to add oil.
- Work after a long stop,please confirm if the core deflecting and torsion happen,and if it has good slippage.

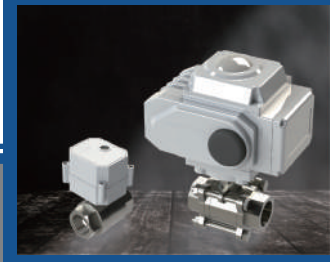
Noted items of indoor installation

- The common product,be installed in the room full of explosive air unless explosion-proof product.
- If installed at certain place having water or splashed material, operator is supposed to install the protection cover additionally forcovering complete-machine safely.

Noted items of outdoor installation

- Please installing protection cover above complete-machine additionally in order to avoid rain of sunshine (The shining of sunshine outdoor would lead to high-temperature which accelerates ageing of components,even losing effective. The rain would accelerate aging of rubber-pad, moreover, the product will be damaged if failing in water proof conduction).
- Operator should save necessary space needed by manual wire-in operation in advance.



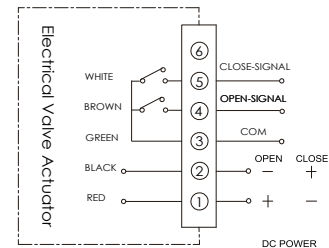
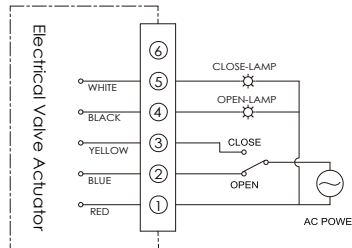


PRODUCT/ MOTORIZE BALL VALVE

Electrical Valve Actuator

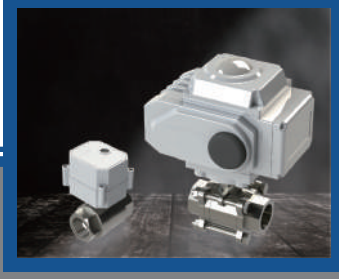


Wiring connection



Specifications Characteristics

Series	ST-05B		ST-10B		ST-20B		ST-40B		ST-60B	
	DC24V	AC110V AC220V	DC24V	AC110V AC220V	DC24V	AC110V AC220V	DC24V	AC110V AC220V	DC24V	AC110V AC220V
Acting range	0 ~ 360°				0 ~ 90°		0 ~ 90°		0 ~ 90°	
Output torque	50Nm		100Nm		200Nm		400Nm		600Nm	
Acting time	7Sec	20Sec	10Sec	30Sec	12Sec	30~60Sec	15Sec	30~60Sec	20Sec	45~60Sec
Rating electricity	0.5A	0.48A 0.24A	0.85A	0.7A 0.32A	1.2A	1.6A 0.88A	2.5A	2.2A 1A	2.5A	2.2A 1A
Motor power	10W	15W	20W	25W	40W	40W	70W	90W	90W	90W
Insulation resistance(MΩ)	100/250 VDC	100/500 VDC	100/250 VDC	100/500 VDC	100/250 VDC	100/500 VDC	100/250 VDC	100/500 VDC	100/250 VDC	100/500 VDC
Voltage resistance rating (1 Minute)	500VAC	1500VAC	500VAC	1500VAC	500VAC	1500VAC	500VAC	1500VAC	500VAC	1500VAC
Use of the environment	Temperature: -25~+55°C ; Humidity: 10~90%RH									
Defend level	IP-68									
Body material	Aluminium die-casting									
Install direction	360 degrees omni-directional									
Electriad connection	Each one or M18*1.5 water-proof cable connectors									
Weight	2.8kg		4.4kg		9.5kg		10kg		10kg	

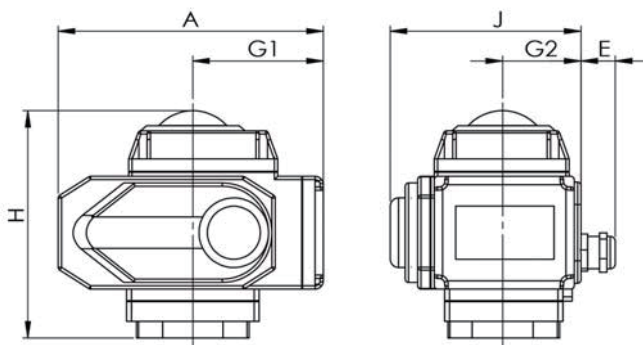
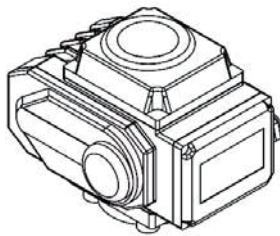


PRODUCT/ MOTORIZE BALL VALVE

Installation

- When use DC24V power.no need to partition Anode and cathode.
- Wiring project should carry on by the qualified electric engineer according to the electrical facility technique standard.
- It forbids to do wiring project in rainy day or in high humidity.
- Please confirm wiring connection drawing correct connection.
- This device have special cable, no need interior wiring.
- No-opening the tope cover (Already have cables).
- When electrifying,absolutely forbid to connect the opening and closing switch at the same time.
- When using line-pipe,operator shouldadopt waterproof measure.
- Operator should make sure that the electric appliance of this valve is higher than line pipe, in order to prevent water from inflowing electric appliance along line which leads to damaging of maching.

Dimensions (mm)



Code No.	A	E	G1	G2	H	J
ST05	160	24	78	50	151	114
ST10	196	24	99	50	170	122
ST20	256	24	135	65	208	156
ST40	256	24	135	65	208	156
ST60	256	24	135	65	208	156

Maintenance

- Because use of the molybdenum disulfide lithium-based grease, so that no need to add oil.
- Work after a long stop, please confirm if he core-deflecting and torsion happen, and if it has good slippage.

Noted items of indoor installation

- The common product,be installed in the room full of explosive air unless explosion-proof product.
- If installed at certain place having water or splashed material, operator is supposed to install the protection cover additionally forcovering complete-machine safely.
- Operator should save necessary space needed by manual wire-in operation in advance.

Noted items of outdoor installation

- Please installing protection cover above complete-machine additionally in order to avoid rain of sunshine (The shining of sunshine outdoor would lead to high-temperature which accelerates ageing of components,even losing effec-tiven, The rain would accelerate aging of rubber-pad,moreover, the product will be damaged if failing in water proof conduction).
- Operator should save necessary space needed by manual wire-in operation in advance.

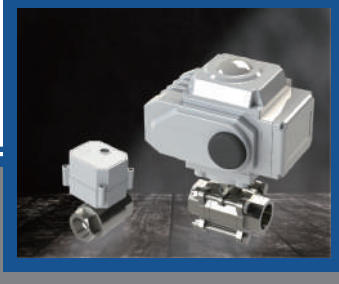
Operating

Manual operating

- Uninstall manual insert hole cover. Below having lever shaft hexangular hole (subtense 4mm).
- Insert socket head wrench to hexagon, "close" is clockwise, "open" is counter-clockwise.
- When electrifying,manual operation is forbidden, when manual operation,must confirm the display on opening meter. To avoid malfunction,when full open and full off, don't use hexagon wrenches to turn forcefully.

Electromotion operation

- Before electromotion operation, please use the manual operation method,to confirm the opening meter and valve are in the same position,and make sure the wire connection is correct, then do the electro-motion operation.
- When full open,red LED is on , when full off,green LED is on.



PRODUCT/ MOTORIZE BALL VALVE

Motorize Wafer-type stainless steel Butterfly Valve

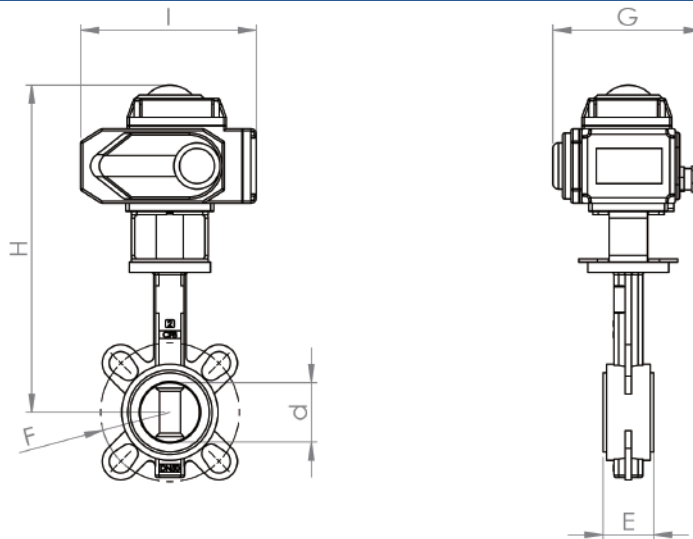


Specifications Characteristics

Model	2D Series
Medium Temp.	-5°C - 90°C
ENV Temp.	0°C - 60°C
Pressure	0 - 1.0 Mpa
Function	Switch control, Proportional control
Actuator Mat.	Al alloy die-casting, Protect level IP-67
Valve body Mat.	Stainless steel SUS304 ; 316
Valve seat Mat.	EPDM
Valve disc Mat.	Stainless steel SUS304 ; 316
Valve stem Mat.	Stainless steel SUS304 ; 316

Dimensions (mm)

* Actuators above the valve are divided into High torque and Low torque, size are different.
Actual actuator dimension based on the real product.



Body Dimension	d	E	F	G	H	I	Actuator Suggest
2"	50	42	120	138	324	160	ST05
2-1/2"	65	44.7	136.2	138	338	160	ST05
3"	80	45.2	160	138	375	196	ST10
4"	100	52	185	146	394	196	ST10
5"	125	54.4	215	146	420	256	ST20
6"	150	55.8	238	180	433	256	ST20
8"	200	60.6	295	180	490	256	ST40
10"	250	65.6	357	180	562	256	ST40
12"	300	76.9	407	180	645	256	ST60

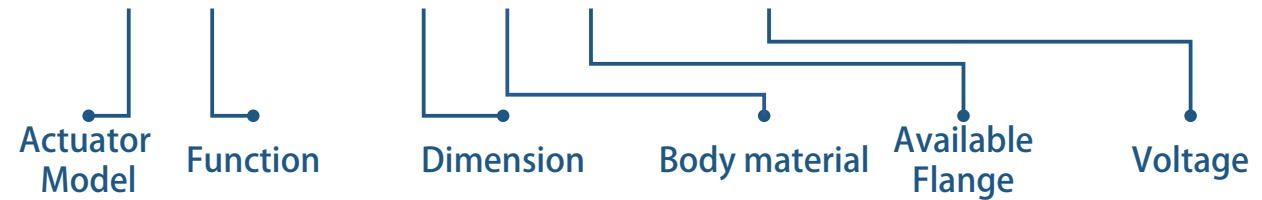
* Available for flange JIS 5K, JIS 10K, ANSI 150 LB



PRODUCT/ MOTORIZE BALL VALVE

How to select model

ST 10 B - 2D 100 S A - AC220V



Actuator Model		Function		Dimension		Body material		Available Flange		Voltage
Model	Function	Code	Dimension	Code	Material	Code	Flange	Code	Voltage	
05	Switch Type	B	2"	50	CF8		JIS	J	AC110V	
10	Proportional Type	A	2-1/2"	65	CF8M	S	ANSI	A	AC220V	
20			3"	80					DC24V	
40			4"	100						
60			5"	125						
			6"	150						
	8"	200								
	10"	250								
	12"	300								

* Actuator Proportional type
Input / Output signal
4 - 20 mA.DC in factory setting.

If you have different request,
welcome to discuss with us.

* Gasket in the valve is **EPDM** in the factory setting.
Suggest working temperature:
-5°C ~ 90°C

