



# GENERAL KNOWLEDGE

## General Instruction for Air filter combination

For your own safty, please read the instruction below before you inquiring / using our products.

### Safty precautions

- Products on the catalog because its variety, should let the the designer of the system or the person who decides the specifications to confirm the parts are suitable for the system or not.
- Incorrect operation compressed fluid will cause danger, please leave it to the the person who well-experienced if needs to install / maintenance the pneumatic machine and its spare parts.
- DO NOT operate / disassemble the machine before confirm safty, please make sure the anti-drop devices or anti-runaway devices is ready for the operation or not.

### Design precautions

- Air filter, regulator, and the oil feeder material is Polycarbonate. DO NOT use in the environment with organic solvents, cutting oil, synthetic oil, alkali, or thread-locking fluid.
- Please avoid to the air filter, regulator, and the lubricator pressure filling or releasing frequently. It may cause outer casing damaged.
- Must install safty devices or exceed the set value of flow-control valve may cause secondary measurement device or machine itself damaged.

### Installment

- Please confirm the air flow direction than proceed connecting installment. Reverse connection will cause operation error.
- Please avoid to the air filter, regulator, and the lubricator pressure filling or releasing frequently. It may cause outer casing damaged.
- Make sure have enough space for operate or maintenance. Regard to the space dimensions, please follow the sizes of various products
- Please fix pipes with the bracket, besides of steel, copper pipes.

### Piping

- Please wash the pipeline before piping. Make sure no wastes, impurities, or foreign material.
- DO NOT act on the valve parts with any force like stretch, compress, or bend while piping.
- The product needs to be installed according to the direction of the fluid on the valve body.
- There might be mutual vibration occurs oscillation and abnormal sound if the regulator directly connect with solenoid valve.
- Tightening torque suggestion

Caliber	Tightening torque suggest
Rc 1/8	18~20 N•m
Rc 1/4	23~25 N•m
Rc 3/8	31~33 N•m
Rc 1/2	41~43 N•m
Rc 3/4	62~65 N•m
Rc 1	83~86 N•m

### Spare Part number

Product Name	A Series				O Series		
	2000	3000	4000	5000	MINI	MIDI	MAXI
Filter 5 μ	XA-20	XA-30	XA-40 XA-40S	XA-50	XO-N5	XO-D5	XO-X5
Fliter cup ( Manual )	CA-20	CA-30	CA-40	CA-50	CO-N with cover	CO-D with cover	CO-X with cover
Fliter cup ( Auto )	CA-20D	CA-30D	CA-40D	CA-50D	CO-ND with cover	CO-DD with cover	CO-XD with cover
Pointer pressure gauge	PA40	PA40	PA50	PA50	PO40	PO50	PO50
Pressure gauge bracket	TA-20	TA-30	TA-40	TA-50			
Filter body bracket		LA-30	LA-40	LA-50	LO-M	LO-D	LO-X
L-type connector	Y-20L	Y-30L	Y-40L	Y-50L			
T-type connector	Y-20T	Y-30T	Y-40T	Y-50T			



# GENERAL KNOWLEDGE

## Maintenance

- Please release the rest of the pressure before maintenance or disassemble the machine. And follow the various note provisions.
- Check the air filter, regulator, and the lubricator regularly, If any deterioration is found, please replace it in time.
- Check the air filter, regulator, and the lubricator regularly, If any dirty is found, please use neutral cleaner to clean, it may cause damaged if use other kinds of cleaner or washing fluids.
- Please install dryer or water remover front of the pipeline if the filter drains too much.

## Filter

- Please check the filter regularly, If any dirty, waste, block is found, please replace it in time.
- To avoid the malfunction, please change the filter when pressure difference over 1 kgf/cm2.
- Please check the water storage cup's water level regularly to avoid the storage exceed the limit.

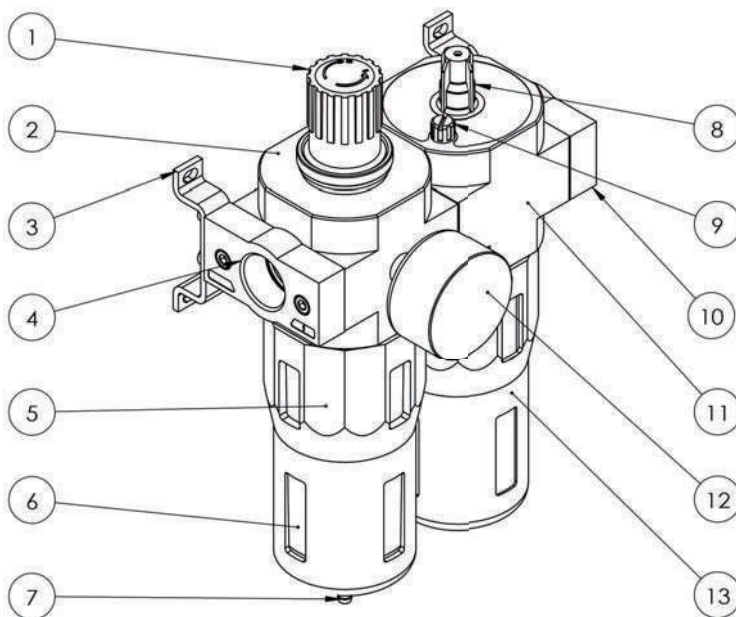
## Regulator

- Please unlock the knob to operate the pressure control, and lock the knob after finish adjust pressure.
- Check the pressure gauge on the primary and the secondary before adjustment. It will damage the parts if adjust too much.
- Please operate the knob manually, DO NOT use any tools.

## Lubricator

- Please avoid protruding and bifurcated on the secondary piping, because it may cause oil feeder bad performance.
- Please select ISO VG32 lubricating oil
- Please check the oil drop level regularly to avoid the malfunction from the machine needs to lubricate.

## Main parts & Material



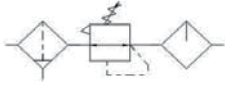
No.	Part name	Material
1	Knob	PP
2	Valve body	Die-cast al alloy + Paint
3	Bracket	SS41
4	Entry screw fixing block	Die-cast al alloy + Paint
5	Fliter body	Aluminum alloy + PVC
6	Auto drainage float	PP
7	Drain	PP
8	Oil level sight glass	PVC
9	Fliter body	NYLON
10	Exit screw fixing block	Die-cast al alloy + Paint
11	Oil feeder body	Die-cast al alloy + Paint
12	Pointer pressure gauge	Iron + Paint
13	Oil feeder cup	Aluminum alloy + PVC



# PRODUCT/ Air Filter Combination

## AC Series Pressure control equipment

JIS Symbol



## Specifications Characteristics

Model	AC Duplex combination Series
Structure	Regulator, Filter, and Lubricator
Fluid	Compressed air
Temperature	-5°C - 60°C ( Non frozen )
Environment	Temp. -10 - 55°C ; Humidity. 10 - 90% RH
Caliber	Thread 1/8" - 1" G ( Standard )
Withstand Pressure	1.2 Mpa
Allowed pressure range	Manual Drain 0.1 - 1.0 Mpa
	Automatic Drain 0.15 - 1.0 Mpa
Adjustment range	0.1 - 0.85 Mpa
Filtration accuracy	5 μm ( Standard ) ; 40 μm ( Select )
Accessories	Standard bracket ; Pointer pressure gauge 0~1.0Mpa
Installment	According to the fluid flow direction. Filter must vertical down.

## How to select model



Model	Diameter	Code
AC2010	1/8"	2010-01
	1/4"	2010-02
AC3010	1/4"	3010-02
	3/8"	3010-03
AC4010	3/8"	4010-03
	1/2"	4010-04
	3/4"	4010-06
AC5010	3/4"	5010-06
	1"	5010-10

Drainage	Code
Manual	D
Automatic	
40 μm Filter	6





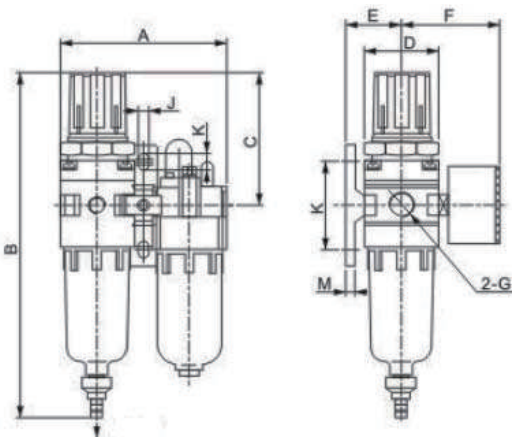
# PRODUCT/ Air Filter Combination

## Specifications list

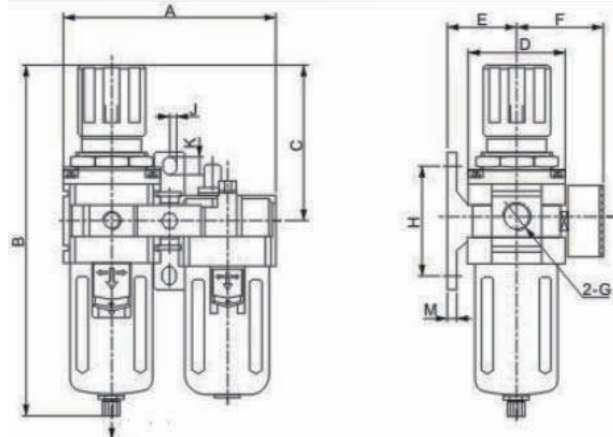
Model	Pressure	Diameter	Rated flow (L/min ANR)	Max. Storage capacity	Min. Oil drop flow	Gauge Aperture	Body Mat.
AC2010	0.1~0.85Mpa	1/8"	500	8ml	15L/min	1/8"	Aluminum alloy
		1/4"					
AC3010		1/4"	1700	25ml	30L/min	1/8"	
		3/8"			40L/min		
AC4010		3/8"	3000	45ml	40L/min	1/4"	
		1/2"			40L/min		
		3/4"					
AC5010		3/4"	4000	45ml	190L/min	1/4"	
	1"						

## Dimensions ( mm )

AC2010



AC3010 ~ AC5010



Model	A	B	C	D	E	F	G	H	K	J	M
AC2010	90	188	72.5	40	30	53	G1/8 · G1/4	48	9	5.5	6
AC3010	117	216	89	53	41	56	G1/4 · G3/8	70	11	7	7
AC4010	154	256	114	70	50	62	G3/8 · G1/2	80	11	9	7
AC4010-06	164	256	114	70	54	62	G3/4	80	13	10	7
AC5010	195	337	118	90	74.5	72	G3/4 · G1	103	17	13	10